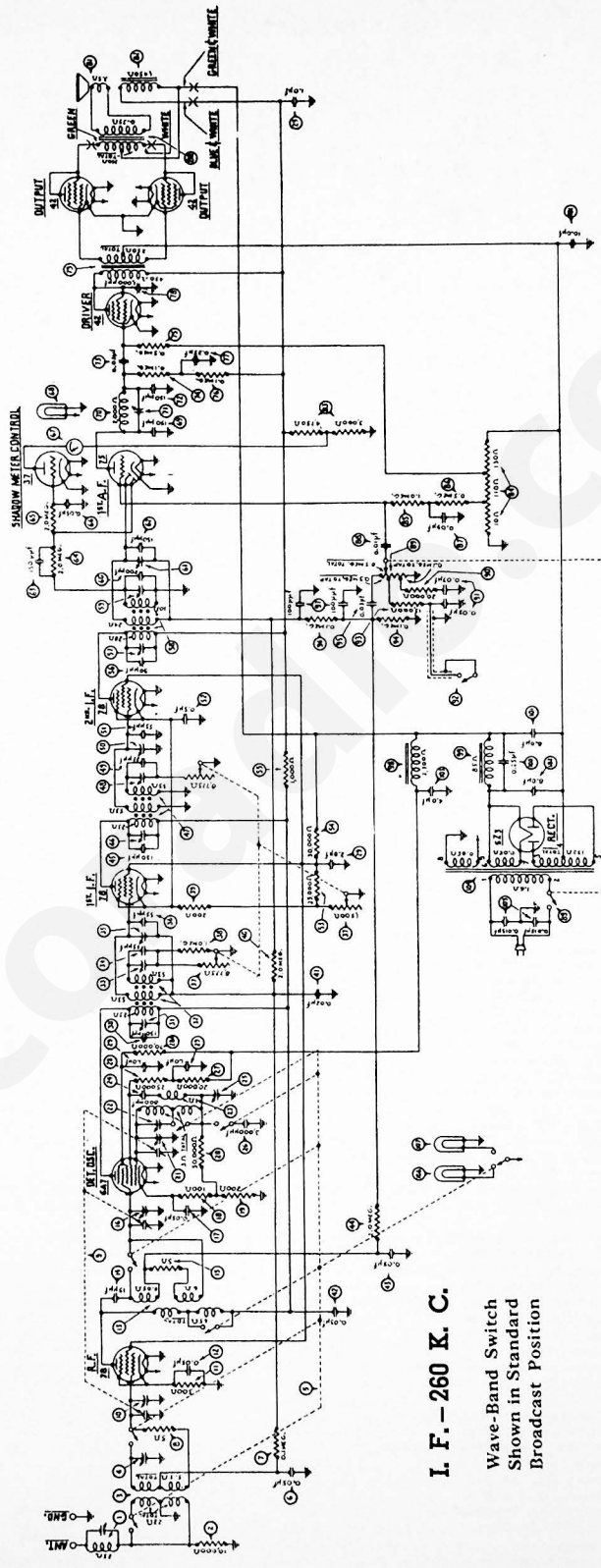
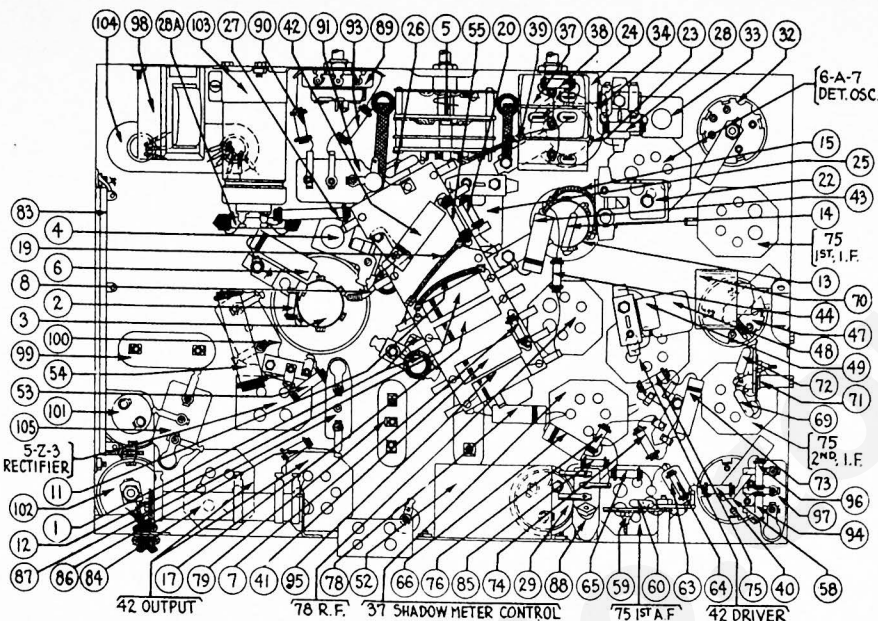


MODEL 201



I. F. - 260 K. C.

Wave-Band Switch
Shown in Standard
Broadcast Position



Replacement Parts—Model 201

Nos. on Diagram	Description	Part No.	Nos. on Diagram	Description	Part No.
1	Wave Trap	38-0248	41	Compensating Condenser (3rd I. F. Sec.)	Part of 39
2	Resistor (10190 ohms) (Brown-Black-Orange)	33-1000	42	Condenser (.00015 Mfd. Mica)	30-1041
3	Antenna Transformer	32-1481	43	Condenser (.00015 Mfd. Mica)	30-1033
4	Compensating Condenser (ANT. S. W.)	04000D	44	Resistor (2 Meg.) (Red-Black-Green)	33-1025
5	Waveband Switch	42-1033	45	Resistor (2 Meg.) (Red-Black-Green)	33-1025
6	Condenser (.05 Mfd. Tubular)	30-4020	46	Condenser (.03 Mfd. Tubular)	30-4025
7	Resistor (1 Meg.) (White-White-Yellow)	6099	47	Shadowmeter	45-2028
8	Resistor (5 ohms Flexible Wire-wound)	33-3186	48	Pilot Lamp (Shadowmeter)	Part of 37
9	Tuning Condenser Assembly	31-1379	49	Condenser (.00015 Mfd. Mica)	30-1046
10	Compensating Condenser (ANT.)	Part of 37	50	Filter Trap Coil (10 K.C. Trap)	32-7261
11	Resistor (500 ohms Flexible Wire-wound)	9977	51	Compensating Condenser (10 K.C. Trap)	01000B
12	Condenser (.05 Mfd. Tubular)	30-4020	52	Condenser (.0015 Mfd. Mica)	30-1041
13	Detector Transformer	32-1482	53	Condenser (.02 Mfd. Tubular)	30-4113
14	Condenser (.003015 Mica)	30-1030	54	Resistor (1 Meg.) (White-White-Yellow)	6099
15	Resistor (5000 ohms Flexible Wire-wound)	33-3186	55	Resistor (.5 Meg.) (Yellow-White-Yellow)	6097
16	Compensating Condenser (DET.)	Part of 37	56	Resistor (1 Meg.) (White-White-Yellow)	6099
17	Condenser (.05 Mfd. Tubular)	30-4020	57	Condenser (.25 Mfd. Metal Case)	Part of 39
18	Resistor (100 ohms Flexible Wire-wound)	33-3187	58	Condenser (.001 Mfd. Tubular)	30-4201
19	Resistor (200 ohms Flexible Wire-wound)	7217	59	Audio Transformer	32-7057
20	Resistor (5000 ohms) (Green-Black-Orange)	6098	60	Output Transformer (On Speaker)	32-7247
21	Compensating Condenser (OSC. H. F. Bdtest.)	Part of 37	61	Voice Coil & Cone Assembly (L-7)	36-3381
22	Compensating Condenser (OSC. S. W.)	31-6016	62	Field Coil & Pot Assembly (L-7)	36-3088
23	Oscillator Transformer	32-1504	63	B. C. Wire-wound Resistor (3000, 4750 ohms)	33-3182
24	Condenser (.0008 Mfd. Mica)	5878	64	Resistor (Wire-wound) (10, 110, 130 ohms)	33-3137
25	Compensating Condenser (OSC. L. F.)	04009F	65	Resistor (1 Meg.) (Brown-Black-Green)	33-1096
26	Condenser (.003 Mfd. Mica)	30-1028	66	Resistor (.5 Meg.) (Yellow-White-Yellow)	6097
27	Resistor (20000 ohms) (Red-Black-Orange)	6549	67	Condenser (.09 Mfd. Bakelite Block)	4984D
28	Resistor (25000 ohms) (Red-Green-Orange)	4516	68	Condenser (.01 Mfd. Bakelite Block)	3903G
29	Resistor (70000 ohms) (Violet-Black-Orange)	3542	69	Volume Control & On-Off Switch	33-5071
30	Condenser (Electrolytic—1, 1, 1 and 2 Mfd.)	30-2080	70	Resistor (20010 ohms) (Red-Black-Orange)	33-1130
31	Condenser (.00213 Mfd. Mica)	30-1037	71	Condenser (Bass Compensator)	8323B
32	Compensating Condenser (1st I. F. Pri.)	Part of 37	72	Bass Compensation Switch	3253
33	1st I. F. Transformer	32-1483	73	Resistor (15000 ohms) (Brown-Green-Orange)	6208
34	Compensating Condenser (1st I. F. Tertiary)	04000A	74	Resistor (1 Meg.) (White-White-Orange)	6099
35	Condenser (.002655 Mfd. Mica)	30-1045	75	Condenser (.03 Mfd. Tubular)	30-4025
36	Compensating Condenser (1st I. F. Sec.)	Part of 37	76	Resistor (1 Meg.) (White-White-Orange)	6099
37	Condenser (.00035 Mfd. Mica)	30-1045	77	Condenser (.0001 Mfd. Twin Bakelite Block)	8035P
38	Fidelity-Selectivity Control (Wire-wound—8775, 8775, 1500 ohms)	33-5083	78	Filter Choke	32-2018
39	Resistor (1 Meg.) (Brown-Black-Green)	33-1096	79	Filter Choke	32-7056
40	Resistor (200 ohms Flexible Wire-wound)	7217	80	Condenser (.25 Mfd. Bakelite Block)	6287S
41	Resistor (2 Megs.) (Red-Black-Green)	33-1025	81	Condenser (Electrolytic 8 & 10 Mfd.)	30-2046
42	Condenser (.02 Mfd. Tubular)	30-4113	82	Condenser (Electrolytic 8 Mfd.)	30-2011
43	Condenser (.05 Mfd. Tubular)	30-4020	83	Condenser (Electrolytic 4 Mfd.)	30-2104
44	Condenser (.05 Mfd. Tubular)	30-4020	84	Power Transformer (80 Cycle 115 Volts)	32-7258
45	Condenser (.05 Mfd. Tubular)	30-4020	85	Power Transformer (25 Cycle 115 Volts)	32-7259
46	Resistor (2 Megs.) (Red-Black-Green)	33-1025	86	Condenser (.015 Mfd. Twin Bakelite Block)	3793K
47	Condenser (.00213 Mfd. Mica)	30-1030	87	Dial Lamp (Standard Band)	34-2040
48	Compensating Condenser (2nd I. F. Pri.)	Part of 37	88	Dial Lamp (Short-wave Band)	34-2040
49	2nd I. F. Transformer	32-1483	89	Dial Assembly	81-1205
50	Compensating Condenser (2nd I. F. Tertiary)	04000A	90	Dial Scale	27-5046
51	Condenser (.00035 Mfd. Mica)	30-1045	91	Knob (Large)	27-051
52	Compensating Condenser (2nd I. F. Sec.)	Part of 37	92	Knob (Small)	27-052
53	Condenser (.00035 Mfd. Mica)	30-1045	93	Tube Shield	28-1107
54	Condenser (.5 & .25 Mfd. Metal Case) (Includes 37)	30-4229	94	Tube Socket (4 Prong)	7514
55	Resistor (25000 ohms) (Red-Black-Orange)	4516	95	Tube Socket (5 Prong)	27-8013
56	Resistor (30000 ohms) (3 watt) (Orange-Black-Orange)	33-1018	96	Tube Socket (6 Prong)	1117
57	Resistor (1000 ohms) (Brown-Black-Red)	5837	97	Tube Socket (7 Prong)	27-8005
58	Condenser (.00039 Mfd. Mica)	30-1046	98	Speaker Socket	7828
59	Compensating Condenser (3rd I. F. Pri.)	Part of 37	99	Chassis Mtg. Screw	31-863
60	3rd I. F. Transformer	32-1484	100	Chassis Mtg. Foot	27-4116
61	Compensating Condenser (3rd I. F. Tertiary)	01000X	101	Chassis Mtg. Foot Plate	27-7497
62	Condenser (.0002 Mfd. Mica)	30-1047	102	AC Cord & Plug Assembly	L943A
			103	Bass Compensation Switch Plate	28-2115

*Inside I. F. Transformer, so do not show in Fig. 3.